

GARDEN WINDOW INSTALLATION INSTRUCTIONS

The garden window compliments any home, adding value and style in New Construction or Remodeling. Careful and proper installation will insure weathertightness and maintenance free operation.

SIZING: These Standard Size Units will fit these window openings.

NEW CONSTRUCTION

Model Number	Rough Opening	
	Width	Height
3641	37"	42"
3647	37"	48"
4241	43"	42"
4247	43"	48"

REPLACING EXISTING WINDOW

Model Number	Existing Jamb Opening	
	Width	Height
3641	28" to 34"	36" to 40"
3647	28" to 34"	42" to 46"
4241	34" to 40"	36" to 40"
4247	34" to 40"	42" to 46"

*For retrofit installation, modification of existing opening is not necessary to accomodate the garden window. Appropriate oak extension jamb kits are available.

MATERIALS/TOOLS:

MATERIALS INCLUDED

Garden Window
 Template
 Install Plugs-6 ea
 Z-Flashing - 2 pcs
 #8 Screws, 2 1/2" - 5 ea
 #10 Screws, 4" - 6 ea
 Optional:
 Oak Extension Jamb Kit
 Glass Shelf Kit

TOOLS NEEDED

Level Utility Knife
 Square Tape Measure
 Hammer Skill Saw
 Screw Gun Caulk Gun
 Drill

MATERIALS NEEDED

Fiberglass Insualtion
 100% Silicone Caulk
 Finish Nails
 Shims

INSTALLATION

A. REPLACING EXISTING WINDOW

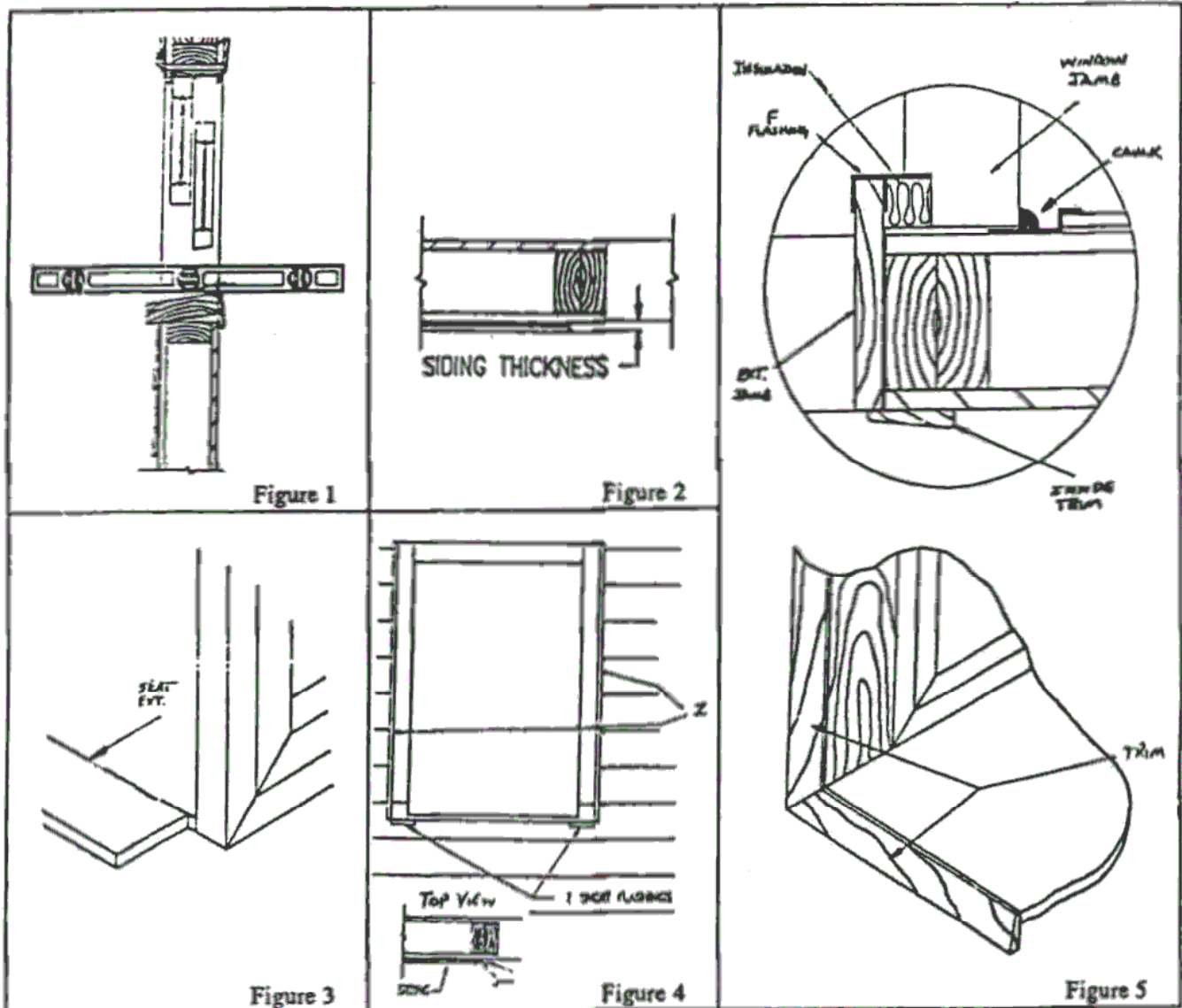
NOTE BEFORE YOU START: DETERMINE IF INTERIOR TRIM MUST BE REUSED & INSTALLED IN THE SAME LOCATION FROM WHICH IT WAS REMOVED. THIS INSTALLATION OPTION OFFERS AN IMPORTANT MARKETING FEATURE BY GIVING THE HOMEOWNER THE OPPORTUNITY TO HAVE THE WINDOW INSTALLED WITHOUT DISRUPTING THE INTERIOR FINISHES SUCH AS WALLPAPER. HOWEVER, IT IS SOMETIMES ADVANTAGEOUS TO LOWER THE SEATBOARD LEVEL DOWN INTO THE SPACE MADE AVAILABLE WHEN THE EXISTING SILL IS REMOVED. BY DOING THIS, THE INSTALLER CAN INCREASE THE ROUGH OPENING HEIGHT TO BETTER ACCOMODATE THE WINDOW. OF COURSE, NEW INTERIOR TRIM IS THEN REQUIRED. IF THIS INSTALLATION APPROACH IS TAKEN, MAKE PROPER ADJUSTMENT IN STEP 1.

1. Determine location for top of seat board. See Fig 1. Remove stool trim if necessary. Compare both sides and adjust if not level. Extend this line out to siding. Remove brick molding if necessary.
2. Mark center of existing opening on sill. Center template, plumb and level, on outside of opening, aligning marks from Step 1.
3. Trace outside of template for siding cutback. Cutback siding to sheathing depth.
4. Remove interior window trim and save if you wish to reuse. Remove existing window including sill, side and top jambs.
5. Measure thickness of siding from face to sheathing. See Fig 2 If thickness is greater than 1", fill to 1" depth around perimeter of opening. Caulk new siding/sheathing joint.
6. Cut seat board to rough opening window width less 1/2" removing equal amounts from each side. See Fig 3. Measure wall thickness and cut seatboard extension to this depth. Seatboard edge should be even with inside finished wall.
7. Install two 3" Z flashings horizontally in bottom corners, install side Z-Flashings full length. See Fig 4. Caulk flashing/siding joint.
8. Remove or loosen siding above opening to allow hanger to slip underneath. Allow room to install screws.
9. Apply two generous beads of silicone on window head and jambs. Lift Garden Window against opening, check that unit is plumb, level and centered, and screw hanger into framing header using five #8 - 2 1/2 " screws.
10. Drill pilot holes and install three #10 - 4" screws through each side jamb into framing member. Space evenly apart, do not overtighten.

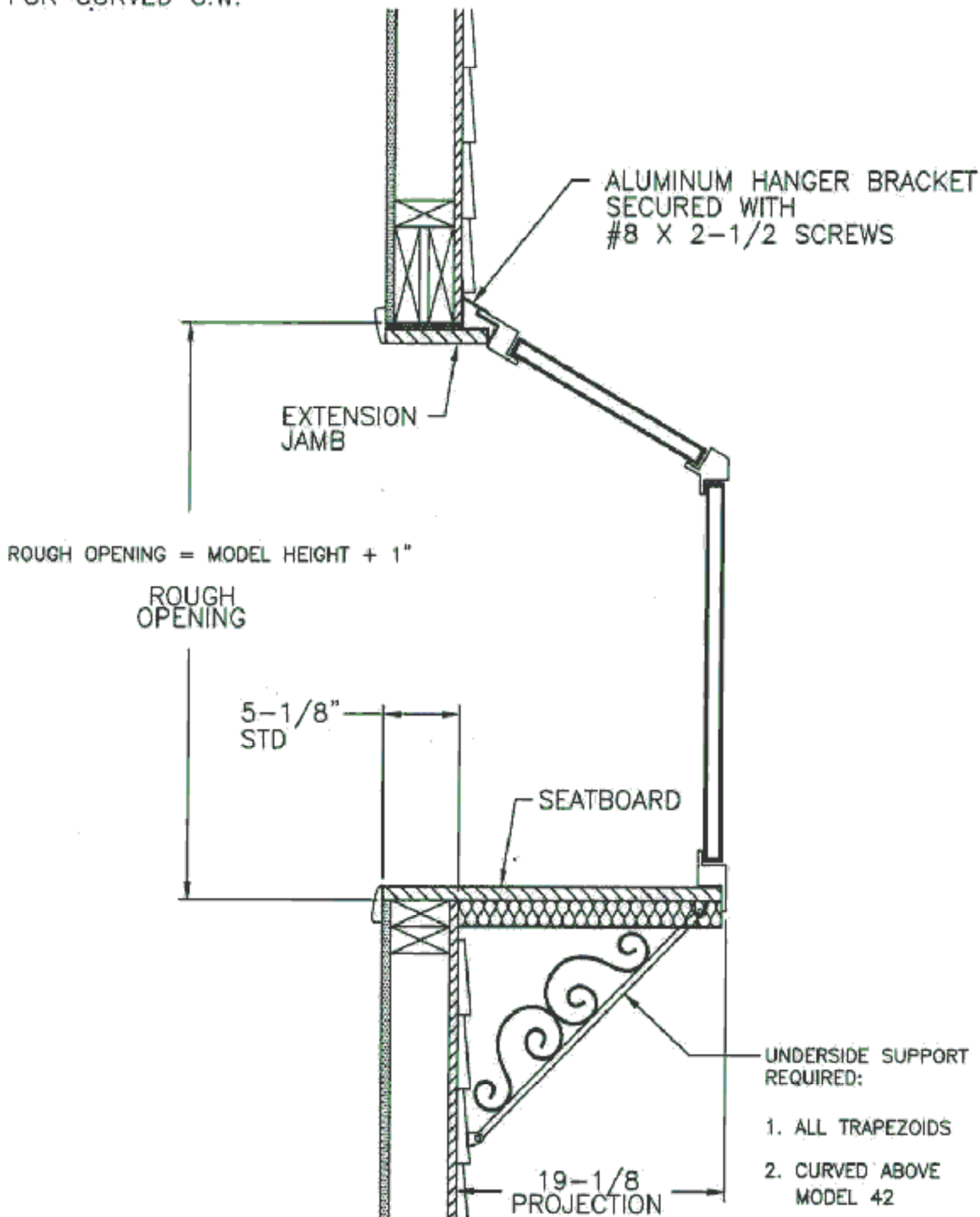
11. Apply silicone caulk bead against Z-Flashing/Window joint (See Fig 5) and at head and underneath insulated panel.
12. Cut oak extension jambs to proper dimensions to finish off inside rough opening. Install with F channel (trimmed to fit) and fiberglass insulation. See Fig 5. Install inside trim.

B. NEW CONSTRUCTION

1. Frame rough opening to proper dimensions. Install sheathing.
2. Place template over outside rough opening, aligning seatboard line 3/4" above bottom of opening. Trace outline of template.
3. If siding to be used is thicker than 1", shim perimeter of opening (to 1" depth) for Z-Flashing installation. See Fig 2. Shim from opening to outline established in Step 2.
4. Install two 3" Z-Flashings horizontally in bottom corners. Install side Z-Flashings full length. See Fig 4. Flashing is installed so that siding will stop at outline established in Step 2.
5. Measure wall thickness and cut seatboard extension to proper depth. Seatboard edge should be even with finished inside wall.
6. Apply two generous beads of silicone on window head and jambs. Lift window against opening, double check that unit is plumb and level. Screw hanger flange into framing header using five #8 - 2 1/2" screws.
7. Drill pilot holes and install three #10 - 4" screws through each side jamb. Space evenly apart, do not overtighten.
8. Apply silicone caulk on window/flashings/sheathing joints, around head plate and underneath insulated panel.
9. Finish inside using 3/4" extension jambs and casement trim.



TRAPEZOID G.W. SHOWN
SAME INSTALLATION
FOR CURVED G.W.



Garden Window Installation Instructions

New Construction

